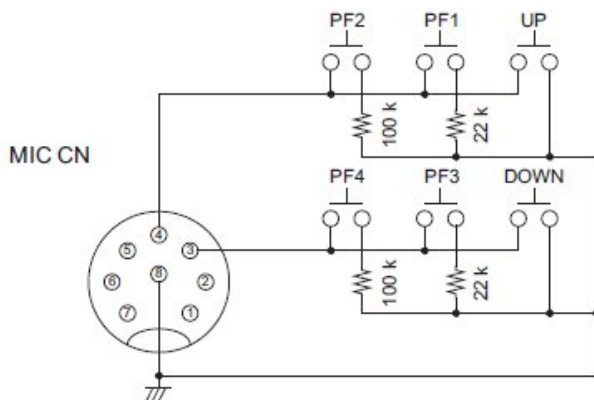


TS-590S PF Function Key Box – Paul Evans, W4/VP9KF

Though only two PF keys are available on the transceiver, it is possible to increase the number of the PF keys by using switches to change a voltage derived from the microphone connector.

By adding an external circuit as shown below, extra PF functions can be assigned.



Circuit

Notes:

- ▲ The figure shows the microphone connector viewed from the front panel, but it is inverted (upside down).
- ▲ The circuit only shows the connection of DC signals. Be fully aware of loop interference of radio frequency signals and other possible issues that may arise [in other words, some decoupling caps may be needed].
- ▲ We will not accept any request for fixing problems arising from connecting devices other than Kenwood's genuine optional products regardless of the content of this document. This is a Kenwood disclaimer from their manual.



Please note: This item is open-hardware. Do not change these notes or remove reference to the design source. You may link to it, but do not copy to other servers or group files.