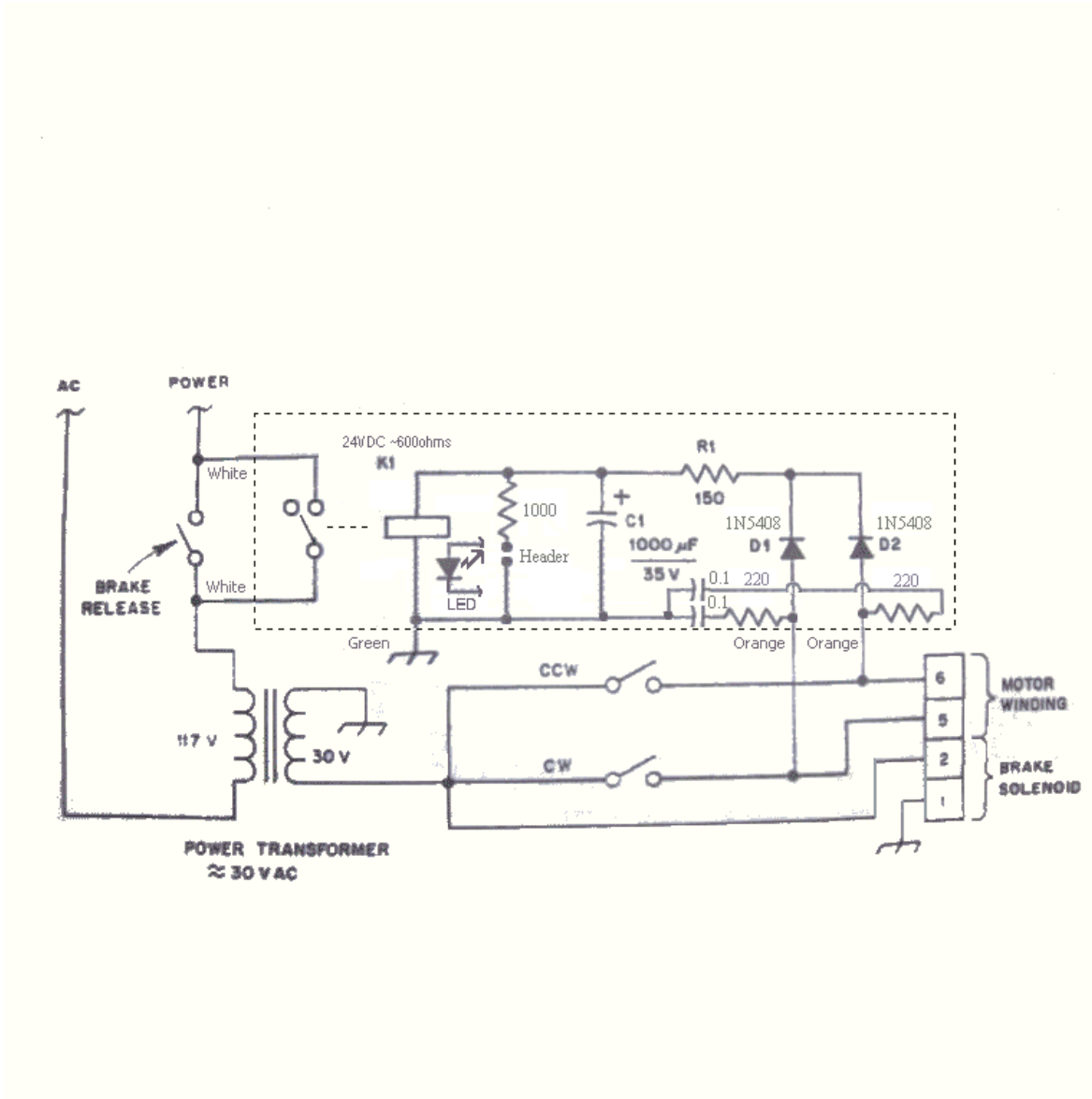


A rotator brake delay circuit for HyGain controllers by Paul Evans, W4/VP9KF. 2017-12-16

This project is extremely simple and constructed to save money over the outrageous prices charged for the same functioning boards on the market.

A small square of vector board (or Vero board) can be used to make this handy little circuit and includes what is inside the dotted line below.



It takes a few minutes to make. If you need a longer delay, change the time constant of R1/C1.

Parts cost: about \$5.



Please note: This circuit is open-hardware. Do not change these notes or remove reference to the design source. You may link to it, but do not copy to other servers or group files.